

# Online References for HW#1

Feb 10, 2007



# References for General Microfabrication

---

- EE 143 Spring 2007 Class Website (Prof. Subramanian)  
<http://inst.eecs.berkeley.edu/~ee143>
- EE 143 Spring 2006 Class Website (Prof. Cheung)  
<http://www-inst.eecs.berkeley.edu/~ee143/sp06/lectures.html>
- Wikipedia – Microfabrication  
<http://en.wikipedia.org/wiki/Microfabrication>
- Wikibooks – Microtechnology  
<http://en.wikibooks.org/wiki/Microtechnology>



# MOSFET Introduction

- <http://jas.eng.buffalo.edu/education/system/mosfet/index.html>

## MOSFET Transistor Simulation

Simulation ▾ Both p and n type ▾ Input = Undefined ▾

p-channel transistor is NOT conduced.

n-channel transistor is NOT conduced.

Hide Left Hide Right

Hide Legend  Bulloon Help

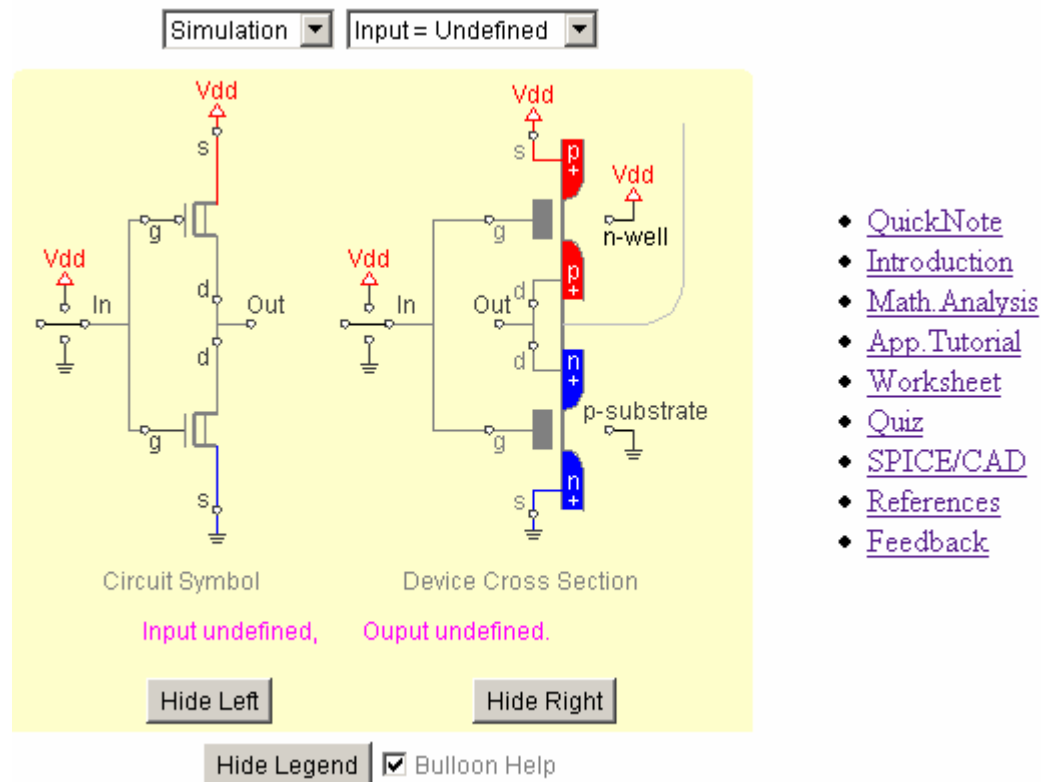
- ◆ [QuickNote](#)
- ◆ [Introduction](#)
- ◆ [Math Analysis](#)
- ◆ [App. Tutorial](#)
- ◆ [Worksheet](#)
- ◆ [Quiz](#)
- ◆ [SPICE/CAD](#)
- ◆ [References](#)
- ◆ [Feedback](#)



# CMOS Inverter Introduction

- <http://jas.eng.buffalo.edu/education/system/inverter/index.html>

## Simulation of Inverter Operation



- [QuickNote](#)
- [Introduction](#)
- [Math. Analysis](#)
- [App. Tutorial](#)
- [Worksheet](#)
- [Quiz](#)
- [SPICE/CAD](#)
- [References](#)
- [Feedback](#)

